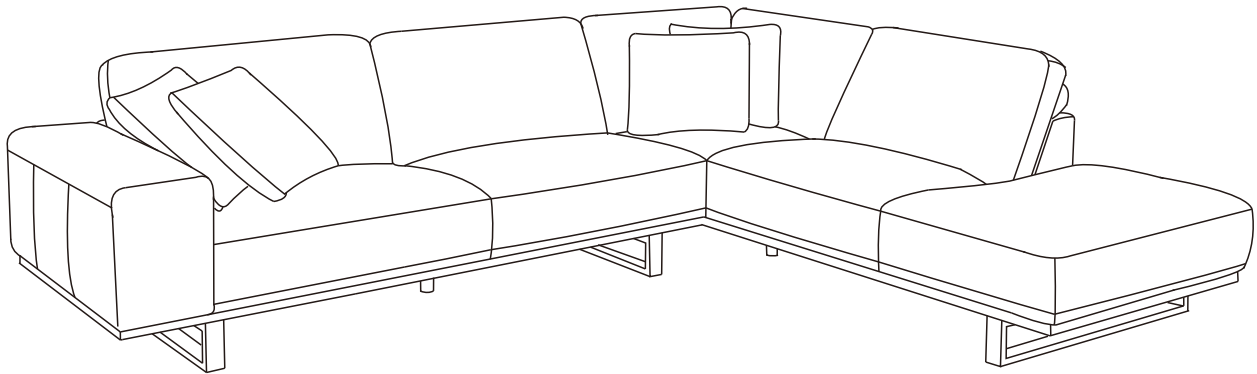


Beckett - 5603

IMPORTANT: Please read these assembly instructions carefully before beginning assembly. Retain for future reference. **CAUTION:** This product is heavy. Assemble with the assistance of another adult.

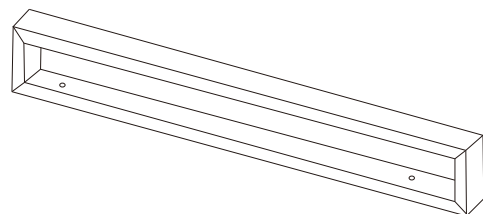
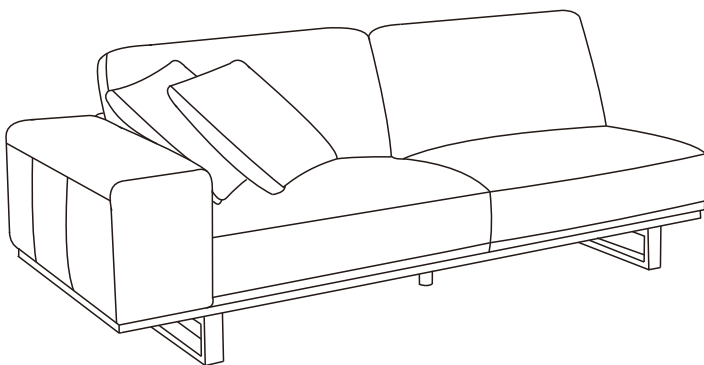


Do not assemble in the presence of children.



To Assemble:

Legs are located inside the black dust cover at the bottom of each sofa piece. Unzip to remove the legs. Attach the corner legs to the corresponding pre-drilled holes using the provided hardware.



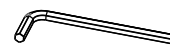
A*2
SOFA FOOT FRAME



B*4
SCREW



C*4
PAD



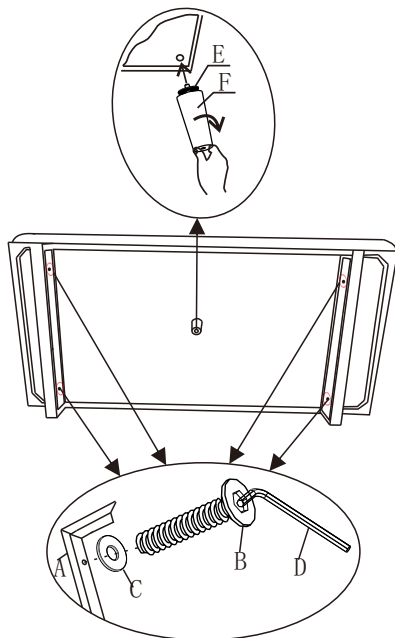
D*1
HEXAGON BAR
WRENCH

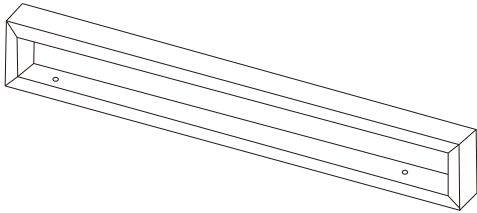
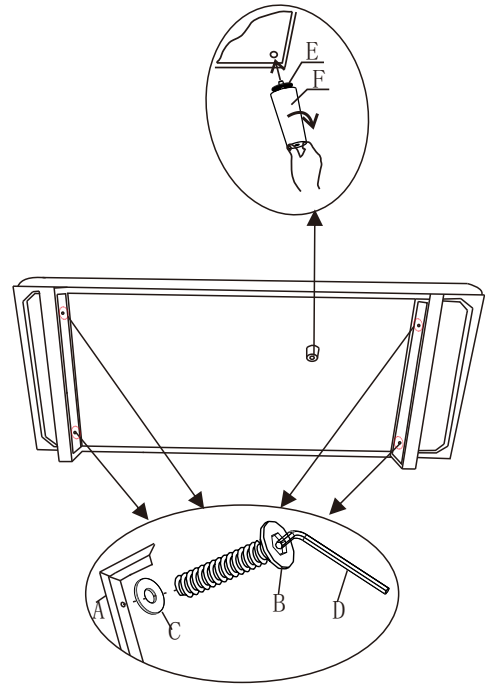
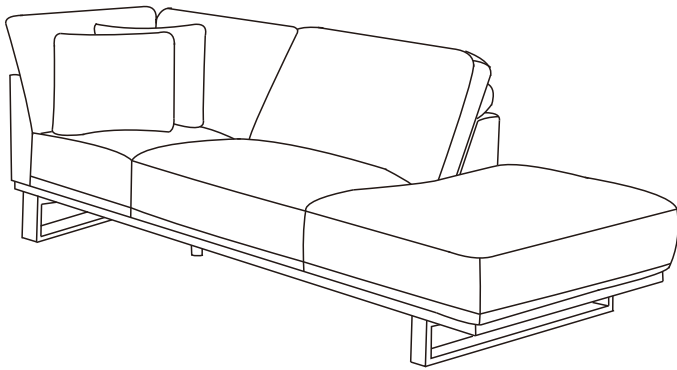


E*1
RUBBER PAD

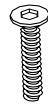


F*1
WOODEN FOOT





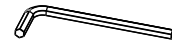
A*2
SOFA FOOT FRAME



B*4
SCREW



C*4
PAD



D*1
HEXAGON BAR
WRENCH



E*1
RUBBER
PAD



F*1
WOODEN
FOOT

